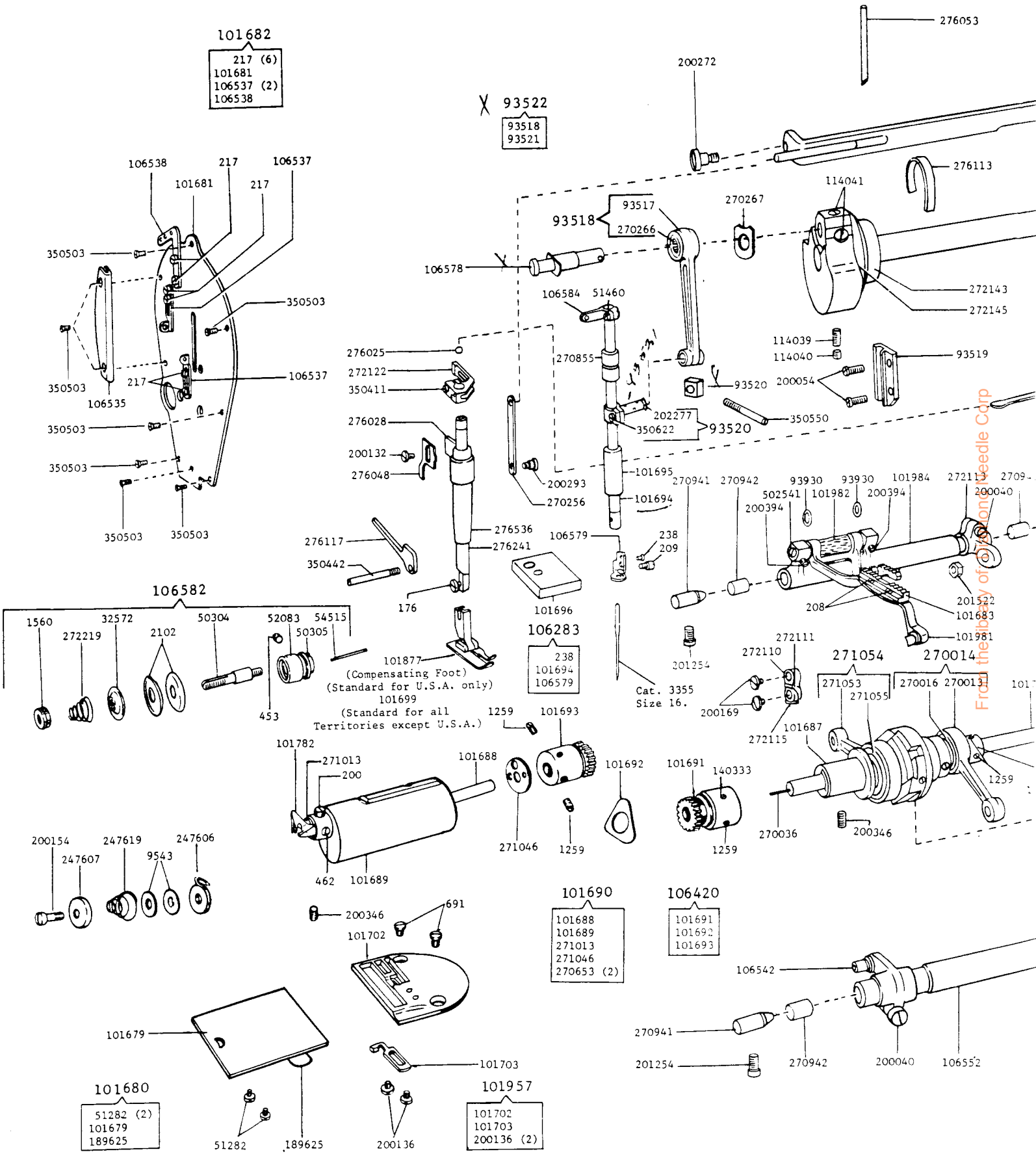
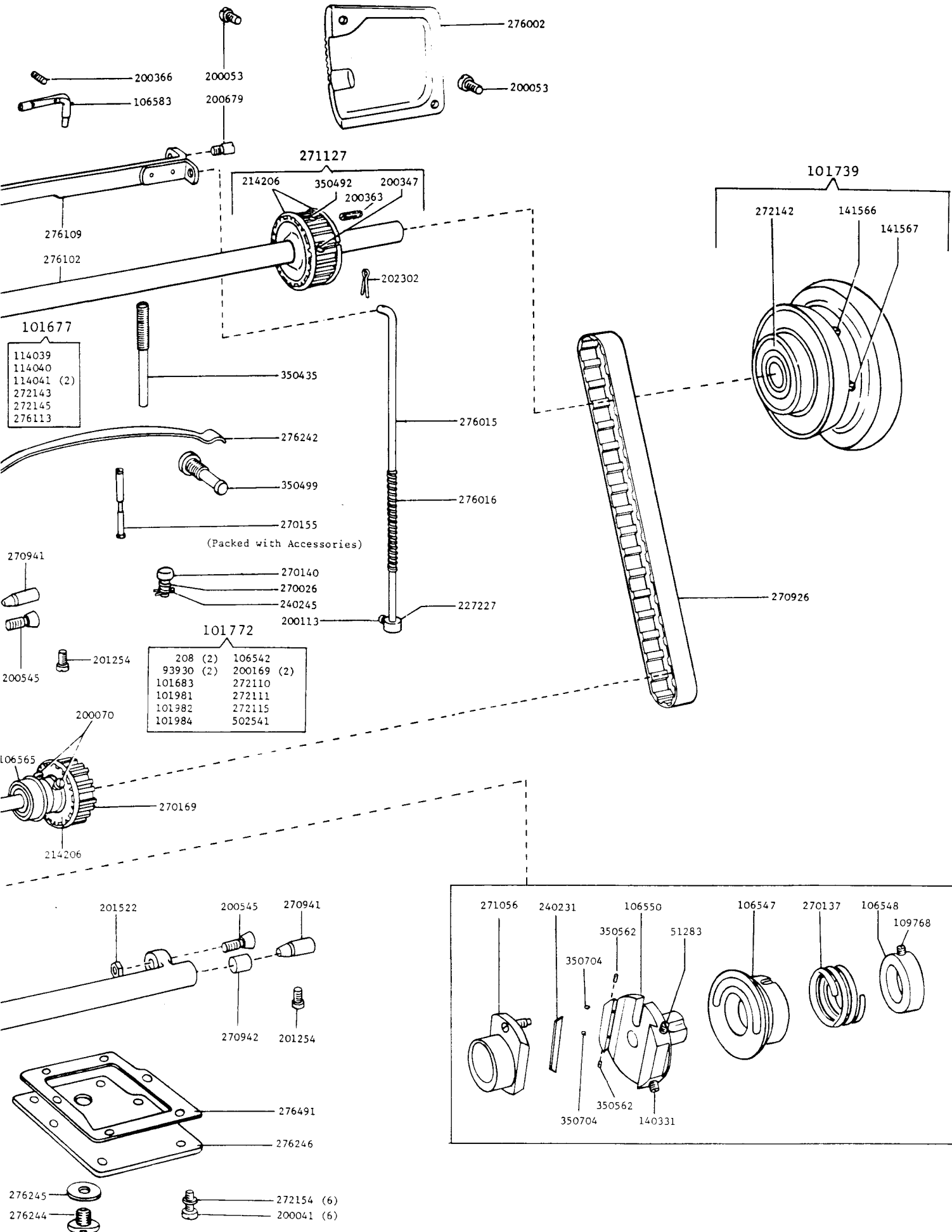


**SINGER**  
**510K111/K110**

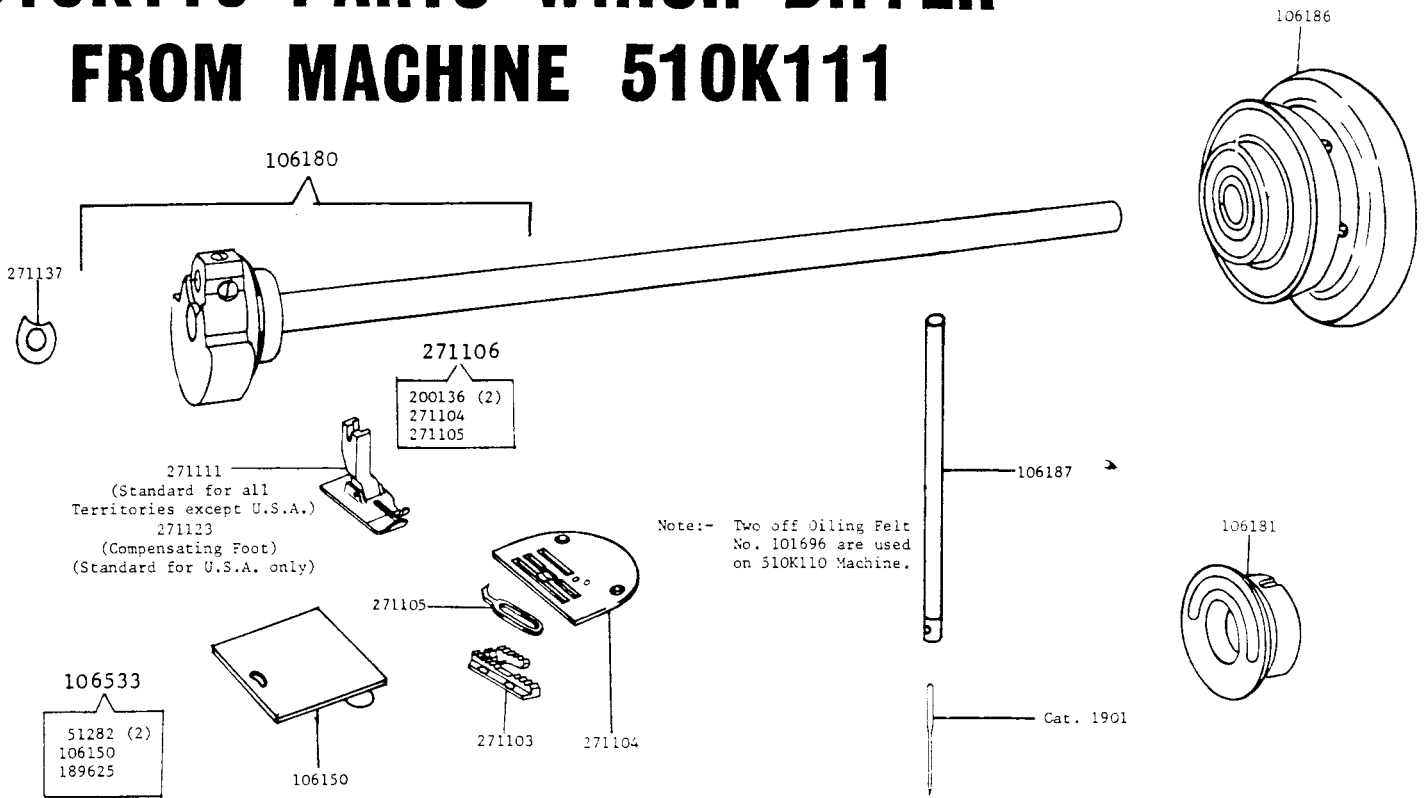
# SINGER 510K111/K110





From the library of: Diamond Needle Corp

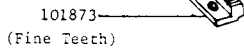
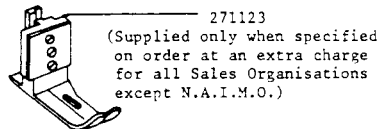
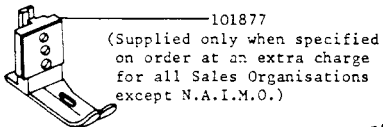
# 510K110 PARTS WHICH DIFFER FROM MACHINE 510K111



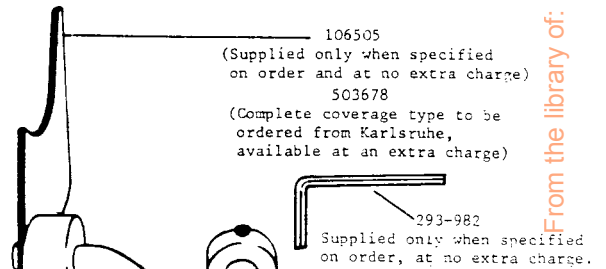
## OPTIONAL FITTINGS

FOR 510K111

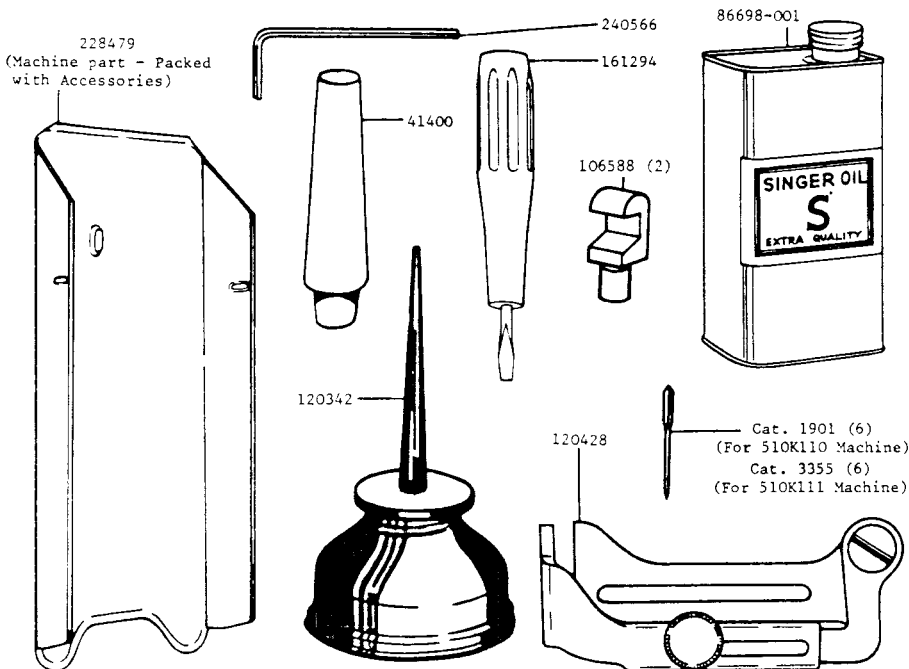
FOR 510K110



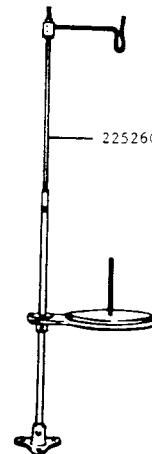
## BELT GUARD



## ACCESSORIES



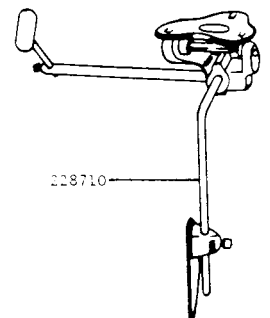
**THREAD UNWINDER**  
(SUPPLIED ONLY WHEN SPECIFIED ON ORDER AT NO EXTRA CHARGE)



**THREAD CONE (WOOD)**  
(SUPPLIED ONLY WHEN SPECIFIED ON ORDER AT NO EXTRA CHARGE)



**KNEE LIFTER**  
(SUPPLIED WITH MACHINE)



Part No.	Used on 510K110	Used on 510K111	Description
176(809)	X	X	Presser Foot Screw
200(806)	X	X	Looper Set Screw
208(830)	X	X	Feed Dog Screw
209(830)	X	X	Needle Set Screw
217(819)	X	X	Face Plate Thread Guide and Retainer Screw
238(809)	X	X	Needle Bar Thread Guide Screw
453(830)	X	X	Tension Stud Holder Set Screw
462(830)	X	X	Looper Shaft Collar Set Screw
691(806)	X	X	Throat Plate Screw
1259(830)	X	X	Feed Lifting Eccentric Position Screw
1259(830)	X	X	Looper Shaft Driving Gear Set Screw
1259(830)	X	X	Looper Shaft Gear Screw
1560(803)	X	X	Tension Thumb Nut
2102	X	X	Tension Disc
9543	X	X	Thread Check Disc
32572	X	X	Tension Releasing Disc
50304(806)	X	X	Tension Stud
50305(803)	X	X	Tension Stud Set Screw
51282(809)	X	X	Bed Slide Spring Screw
51283(803)	X	X	Feed Driving Flange Position Screw
51460(805)	X	X	Thread Take-up Pinch Screw
52083	X	X	Tension Stud Holder with 50305(803)
54515	X	X	Tension Releasing Pin
93517	X	X	Needle Bar Connecting Link
93518	X	X	Needle Bar Connecting Link 93517 with 270266
93519	X	X	Needle Bar Connecting Link Guide Block
93520	X	X	Needle Bar Connecting Link Slide Block
93521	X	X	Needle Bar Connecting Stud with 202277 and 350622(830)
93522	X	X	Needle Bar Connecting Link 93518 with 93521
93930	X	X	Feed Bar Hinge Pin Thrust Washer
101677		X	Arm Shaft with Needle Bar Crank and 114039(869), 114040(869), 272143, 272145, 276113 and two 114041(869)
101679(867)		X	Bed Slide
101680		X	Bed Slide 101679(867) with 189625 and two 51282(809)
101681(819)	X	X	Face Plate
101682	X	X	Face Plate complete, Nos. 101681(819), 106538(850), two 106357(850) and six 217(819)
101683		X	Feed Dog
101687	X	X	Looper Driving Shaft Bushing
101688	X	X	Looper Shaft
101689	X	X	Looper Shaft Bushing
101690	X	X	Looper Shaft 101688 with 101689, 271013, 271046 and two 270653
101691	X	X	Looper Shaft Driving Gear Note: Order Set of Mated Gears No. 106420
101692	X	X	Looper Shaft Driving Gear Oil Sling
101693	X	X	Looper Shaft Gear with two 1259(830) Note: Order Set of Mated Gears No. 106420
101694		X	Needle Bar with 209(830)
101695	X	X	Needle Bar Bushing (lower)
101696	X	X	Needle Bar Oiling Felt
101699		X	Presser Foot - Supplied as Standard with machines for territories other than N.A.I.M.O. unless otherwise specified on order.
101702(806)		X	Throat Plate
101703		X	Throat Plate Thread Retainer and Needle Guard
101739		X	Machine Pulley with 141566(803), 141567(803) and 272142
101772		X	Feed Shaft Assembly, Nos., 101683, 101981, 101982, 101984, 106542, 272110, 272111, 272115, 502541, two each 208(830), 93930 and 200169(803)
101782	X	X	Looper
101785	X	X	Looper Driving Shaft
101877		X	Presser Foot (compensating) - Supplied as Standard with machines for N.A.I.M.O. unless otherwise specified on order.
101957		X	Throat Plate 101702 with 101703 and two 200136(809)
101981	X	X	Feed Bar
101982	X	X	Feed Bar Hinge Pin Lubricating Felt
101984	X	X	Feed Driving Rock Shaft with two each 200394(803) and 270942
106150(867)	X		Bed Slide
106180	X		Arm Shaft with Needle Bar Crank and 114039(803), 114040(803), 272143, 272145, 276021, 276113 and two 114041(803)
106181	X		Feed Driving Eccentric Adjusting Disc
106184	X		Feed Shaft Assembly, Nos. 101981, 101982, 101984, 106542, 271103, 272110, 272111, 272115, 502541, two each 208(830), 93930 and 200169(803)
106186	X		Machine Pulley with 141566(803), 141567(803) and 272142
106187	X		Needle Bar with 209(830)
106252	X	X	Feed Lifting Eccentric with two 1259(830)
106420	X	X	Set of Mated Gears, Nos. 101691, 101692 and 101693
106533	X		Bed Slide 106150 with 189625 and two 51282(809)
106535(850)	X	X	Face Plate Thread Guard
106537(850)	X	X	Face Plate Thread Guide (adjustable) (front and rear)

Part No.	Used on 510K110	Used on 510K111	Description
106538(850)	X	X	Face Plate Thread Retainer
106542	X	X	Feed Bar Lifting Crank with 200040(805)
106547	X	X	Feed Driving Eccentric Adjusting Disc
106548	X	X	Feed Driving Eccentric Adjusting Disc Spring Collar with 109768(841)
106550	X	X	Feed Driving Flange with 51283(803), 140331(803), two each 350562(841) and 350704(841)
106552	X	X	Feed Lifting Rock Shaft with two 270942
106565	X	X	Looper Driving Shaft Ball Bearing
106578	X	X	Needle Bar Connecting Link Hinge Stud
106579	X	X	Needle Bar Thread Guide
106582	X	X	Tension complete, Nos. 1560(803), 32572, 50304(806), 52083, 54515, 272219 and two 2102
106583	X	X	Thread Guide
106584	X	X	Thread Take-up with 51460(805)
109768(841)	X	X	Feed Driving Eccentric Adjusting Disc Spring Collar Set Screw
114039(869)	X	X	Needle Bar Crank Position Screw
114040(869)	X	X	Needle Bar Crank Position Screw Check Screw
114041(869)	X	X	Needle Bar Connecting Link Hinge Stud Set Screw
140331(803)	X	X	Feed Driving Flange Set Screw
140333(830)	X	X	Looper Shaft Driving Gear Position Screw
141566(803)	X	X	Machine Pulley Position Screw
141567(803)	X	X	Machine Pulley Set Screw
189625	X	X	Bed Slide Spring
200040(805)	X	X	Feed Driving Connection Crank Pinch Screw
200040(805)	X	X	Feed Bar Lifting Crank Pinch Screw
200041(805)	X	X	Looper Oil Reservoir Cover Screw
200053(809)	X	X	Arm Cover Screw
200054(805)	X	X	Needle Bar Connecting Link Guide Block Screw
200113(806)	X	X	Knee Lifter Lifting Rod Spring Collar Set Screw
200132(805)	X	X	Tension Releaser Screw
200136(809)	X	X	Throat Plate Thread Retainer Screw
200154(806)	X	X	Thread Check Screw
200169(803)	X	X	Feed Bar Lifting Link Cap Screw
200272(830)	X	X	Knee Lifter Rock Frame Hinge Screw (front)
200293(830)	X	X	Knee Lifter Lifting Link Hinge Screw
200346(803)	X	X	Looper Driving Shaft Bushing Set Screw
200346(803)	X	X	Looper Shaft Bushing Position Screw
200347(830)	X	X	Arm Shaft Connection Belt Pulley Set Screw
200363(830)	X	X	Arm Shaft Connection Belt Pulley Position Screw Locking Screw
200366(809)	X	X	Thread Guide Set Screw
200394(803)	X	X	Feed Bar Hinge Pin Set Screw
200545(803)	X	X	Feed Driving Connection Crank Hinge Screw
200545(803)	X	X	Feed Lifting Connection Hinge Screw
200679(806)	X	X	Knee Lifter Rock Frame Hinge Screw (back)
201254(830)	X	X	Feed Driving Rock Shaft Centre Set Screw
201254(830)	X	X	Feed Lifting Rock Shaft Centre Set Screw
201522(805)	X	X	Feed Driving Connection Crank Hinge Screw Nut
201522(805)	X	X	Feed Lifting Connection Hinge Screw Nut
202277	X	X	Needle Bar Connecting Stud Oil Packing Wick
202302	X	X	Knee Lifter Lifting Rod Cotter Pin
214206	X	X	Arm Shaft Connection Belt Pulley Spring Flange
214206	X	X	Looper Driving Shaft Connection Belt Pulley Spring Flange
227227	X	X	Knee Lifter Lifting Rod Spring Collar with 200113(806)
240231	X	X	Feed Driving Eccentric Friction Gib
240245	X	X	Feed Regulating Stud Retaining Spring
247606	X	X	Thread Check Bracket
247607	X	X	Thread Check Cap
247619	X	X	Thread Check Spring
270013	X	X	Feed Lifting Connection
270014	X	X	Feed Lifting Connection 270013 with 270016
270016	X	X	Feed Lifting Connection Needle Bearing
270026	X	X	Feed Regulating Stud Spring
270036	X	X	Looper Driving Shaft Oil Lead Wire
270137	X	X	Feed Driving Eccentric Adjusting Disc Spring
270140	X	X	Feed Regulating Stud
270169	X	X	Looper Driving Shaft Connection Belt Pulley with 214206 and two 200070(803)
270256	X	X	Knee Lifter Lifting Link
270266	X	X	Needle Bar Connecting Link Needle Bearing
270267	X	X	Needle Bar Connecting Link Thrust Washer
270653	X	X	Looper Shaft Needle Bearing (not illustrated)
270855	X	X	Needle Bar Bushing (upper)
270926	X	X	Arm Shaft Connection Belt
270941	X	X	Feed Driving Rock Shaft Centre
270941	X	X	Feed Lifting Rock Shaft Centre
270942	X	X	Feed Driving Rock Shaft Insert (nylon)
270942	X	X	Feed Lifting Rock Shaft Insert (nylon)
271013	X	X	Looper Shaft Collar with 200(806) and 462(830)
271046	X	X	Looper Shaft Bushing Friction Plate
271053	X	X	Feed Driving Connection
271054	X	X	Feed Driving Connection 271053 with 271055
271055	X	X	Feed Driving Connection Needle Bearing
271056	X	X	Feed Driving Eccentric
271103	X	X	Feed Dog

<u>Part No.</u>	<u>Used on 510K110</u>	<u>Used on 510K111</u>	<u>Description</u>
271104	X		Throat Plate
271105	X		Throat Plate Thread Retainer and Needle Guard
271106	X		Throat Plate 271104 with 271105 and two 200136(804)
271111	X		Presser Foot - Supplied as Standard with machines for territories other than N.A.I.M.O. unless otherwise specified on order.
271123	X		Presser Foot (compensating) - Supplied as standard with machines for N.A.I.M.O. unless otherwise specified on order.
271127	X		Arm Shaft Connection Pulley with 200347(830), 200363(830), 350492(803) and two 214206
271137	X		Needle Bar Connecting Link Thrust Washer
272110	X	X	Feed Bar Lifting Link
272111	X	X	Feed Bar Lifting Link Oiling Wick Clamp
272113	X	X	Feed Driving Connection Crank with 200040(805)
272115	X	X	Feed Bar Lifting Link Oiling Wick
272122	X	X	Presser Bar Position Guide with 350411(803)
272142	X	X	Arm Shaft Ball Bearing (back)
272143	X	X	Arm Shaft Ball Bearing (front)
272145	X	X	Needle Bar Connecting Link Hinge Stud Oiling Felt Flange
272154	X	X	Looper Oil Reservoir Cover Screw Washer
272219	X	X	Tension Spring
276002	X	X	Arm Cover
276015	X	X	Knee Lifter Lifting Rod with 202302
276016	X	X	Knee Lifter Lifting Rod Spring
276025	X	X	Presser Bar Ball
276028	X	X	Presser Bar Lifting Releasing Lever Bracket
276048	X	X	Tension Releaser (adjustable)
276053	X	X	Needle Bar Connecting Link Hinge Stud Oiling Felt Oil Leader Tube
276102	X	X	Arm Shaft
276109	X	X	Knee Lifter Rock Frame Arm
276113	X	X	Needle Bar Connecting Link Hinge Stud Oiling Felt
276117	X	X	Presser Bar Lifter
276241	X	X	Presser Bar with 176(809)
276242	X	X	Presser Bar Spring
276244	X	X	Looper Oil Reservoir Drain Plug
276245	X	X	Looper Oil Reservoir Drain Plug Gasket
276246	X	X	Looper Oil Reservoir Cover
276491	X	X	Looper Oil Reservoir Cover Gasket
276536	X	X	Presser Bar Bushing
350411(803)	X	X	Presser Bar Position Guide Pinch Screw
350435(803)	X	X	Presser Bar Spring Screw
350442(803)	X	X	Presser Bar Lifter Hinge Screw
350492(803)	X	X	Arm Shaft Connection Belt Pulley Position Screw
350499(841)	X	X	Presser Bar Spring Screw Stud
350503(819)	X	X	Face Plate Screw
350550(850)	X	X	Needle Bar Bushing (upper) Set Screw
350562(841)	X	X	Feed Driving Eccentric Friction Gib Adjusting Screw Set Screw
350622(830)	X	X	Needle Bar Connecting Stud Pinch Screw
350704(841)	X	X	Feed Driving Eccentric Friction Gib Adjusting Screw
502541	X	X	Feed Bar Hinge Pin (eccentric)

OPTIONAL FITTINGS

101873		X	Feed Dog (fine teeth) (14 teeth per inch)
101877		X	Presser Foot (compensating)
271123	X		Presser Foot (compensating)

ACCESSORIES

293-982	X	X	Belt Guard Screw Key (Only supplied when specified on order at no extra charge)
27739	X	X	Thread Cone (wood) (Only supplied when specified on order, at no extra charge)
41400	X	X	Machine Rest Pin (wood)
86698-001	X	X	Tin of Oil (1/2 pint) (Type A)
106505	X	X	Belt Guard (Only supplied when specified on order, at no extra charge)
106588	X	X	Machine Hinge Connection
120342	X	X	Oiler
120428	X	X	Guide (adjustable, hinged)
161294	X	X	Screw Driver
225260	X	X	Thread Unwinder (one spool) (Only supplied when specified on order, at no extra charge)
228479	X	X	Drip Pan with four 3/4" wire nails
228710	X	X	Knee Lifter Rock Lever complete
240566	X	X	Wrench
270155	X	X	Looper Driving Shaft Oil Reservoir Oil Gauge
503678	X	X	Belt Guard (complete coverage type) (order from Blankenloch)